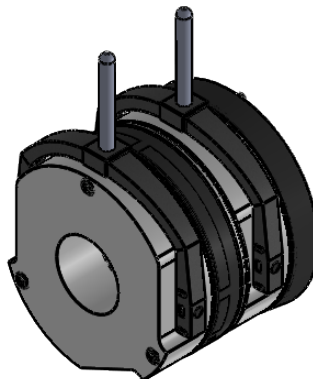


SECTION A-A



CHEMICAL TREATMENT: TERMICAL TREATMENT:		This drawing replaces all previous revisions		REV.: 04/02/2020 08:14:59						
CHARACTERISTICS DEFINITION:		GENERAL TOLERANCES ACCORDING TO: UNI -EN 22768-cK	GENERAL Ra:							
<table border="1"> <thead> <tr> <th>SYMBOL</th> <th>DEFINITION</th> </tr> </thead> <tbody> <tr> <td>∇_n</td> <td>CRITICAL DIMENSION QUALITY CONTROL BALOON</td> </tr> <tr> <td>∇_n</td> <td>STANDARD DIMENSION QUALITY CONTROL BALOON</td> </tr> </tbody> </table>		SYMBOL	DEFINITION	∇_n	CRITICAL DIMENSION QUALITY CONTROL BALOON	∇_n	STANDARD DIMENSION QUALITY CONTROL BALOON	6.3 3.2 1.2 RETIFICA 3.2 1.6 0.8		
SYMBOL	DEFINITION									
∇_n	CRITICAL DIMENSION QUALITY CONTROL BALOON									
∇_n	STANDARD DIMENSION QUALITY CONTROL BALOON									
MATERIAL:		DRAWING NAME: <h2>K07TH Brake group</h2>								
PESO: g		DRAWN BY: SP		CHECKED BY: GO						
		SCALE: 1:3		PAGE 1 di 1						



Temporiti srl
 Via Mattei, 8 - 20010 Mesero (MI)
 tel. 02 9787331 - fax 02 97289574

